

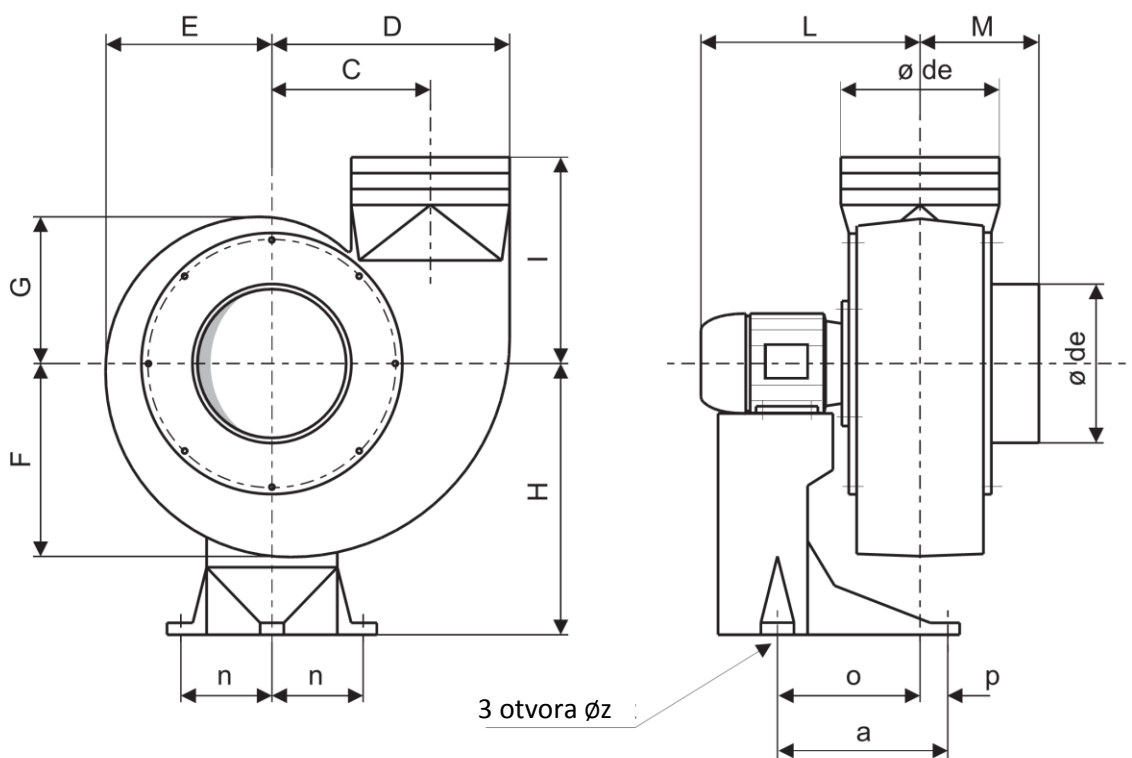
# VL/160

## Tehničke karakteristike VL 160-1,5

| Protok [m <sup>3</sup> /h] | 150    | 200  | 300 | 400 | 500    | 600 | 700 | 800 | 900 | 1000 | 1100 | 1200 | 1300 | 1400 |
|----------------------------|--------|------|-----|-----|--------|-----|-----|-----|-----|------|------|------|------|------|
| Visina dizanja [mm]        | 18     | 17,5 | 17  | 16  | 15     | 12  | 6   | -   | -   | -    | -    | -    | -    | -    |
| Efikasnost                 | 25-45% |      |     |     | 42-45% |     |     | 27% |     |      |      |      |      |      |
| Bučnost [dBA]              | 45-47  |      |     |     | 47     |     |     | 48  |     |      |      |      |      |      |

## Tehničke karakteristike VL 160-3

| Protok [m <sup>3</sup> /h] | 300    | 400 | 500 | 600 | 700 | 800 | 900    | 1000 | 1100 | 1200 | 1300 | 1400 |  |  |
|----------------------------|--------|-----|-----|-----|-----|-----|--------|------|------|------|------|------|--|--|
| Visina dizanja [mm]        | 69     | 68  | 67  | 66  | 64  | 62  | 60     | 56   | 53   | 58   | 40   | 22   |  |  |
| Efikasnost                 | 25-45% |     |     |     |     |     | 42-45% |      |      |      | 27%  |      |  |  |
| Bučnost [dBA]              | 59     |     |     |     |     |     | 59-61  |      |      |      | 62   |      |  |  |



| TIP        | N    | Br. obrtaja | de  | C   | D   | E   | F   | G   | H   |
|------------|------|-------------|-----|-----|-----|-----|-----|-----|-----|
| VL 160-1,5 | 0,18 | 1400        | 160 | 160 | 240 | 170 | 195 | 148 | 300 |
| VL 160-3   | 1    | 2800        | 160 | 160 | 240 | 170 | 195 | 148 | 335 |
| TIP        | l    | L           | M   | a   | n   | o   | p   | z   | kg  |
| VL 160-1,5 | 210  | 265         | 150 | 170 | 100 | 170 | 0   | 9   | 10  |
| VL 160-3   | 210  | 330         | 150 | 215 | 115 | 185 | 30  | 9   | 13  |